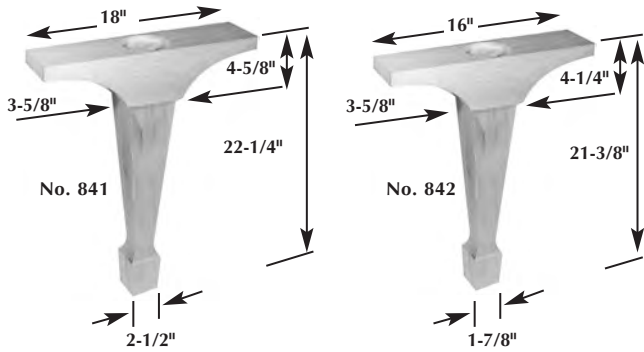


UNFINISHED CASE PARTS



SPADE GRAND LEGS

Made of selected hard maple. Finely sanded and ready for finishing, drilled for upper plates and casters. All legs are the same length.

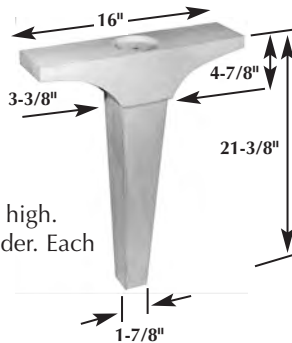
No. 841 - For Grands over 6'. 22-1/4" high. Each

No. 842 - For Grands under 6'. 21-3/8" high. Each

STRAIGHT TAPERED GRAND LEGS

Same dimensions as No. 842 except straight tapered style. Use of our No. 964C cast brass leg ferrule is suggested. 21-3/8" high.

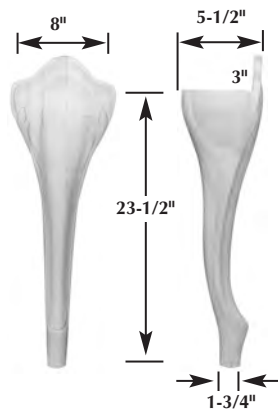
No. 843 - For Grands 6' and under. Each



FRENCH PROVINCIAL GRAND LEGS

Authentically styled legs, beautifully carved from hard maple, finely sanded and ready for finishing. All legs are the same length and are drilled for caster sockets.

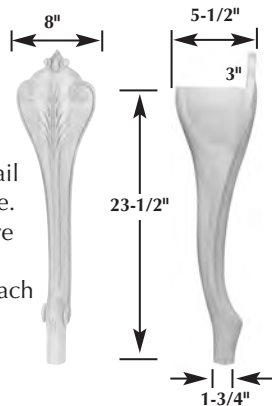
No. 844 - French Provincial Grand Legs. Each



LOUIS XV GRAND LEGS

Hand carved with the same craftsmanship and attention to detail as our French Provincial legs above. All legs are the same length and are drilled for caster sockets.

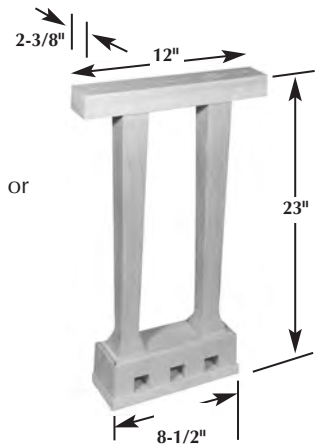
No. 815 - Louis XV. Grand Legs. Each



GRAND LYRE

Made of selected hard maple or birch. Spade style 23" high.

No. 845 - Grand Lyre. Each



SOLID BRASS LYRE PEDAL KIT (NOT SHOWN)

Consists of: 1 Set 998 Pedals, 1 Pair 770C Lyre Braces, 1 Set 773 Pedal Rods, 3 Pair of Pedal Brackets

No. 849 - Grand Lyre Hardware Kit. Per Set

GRAND LYRE

Suggested for use with Louis XV or French Provincial legs. Clear hardwood ready for finishing. Lyre can be disassembled by removing lag bolts so that center section can be cut to reduce overall height.

No. 846 - Grand Lyre. Each



STEINWAY STYLE WOOD LYRE BRACES

Hand turned from selected hard maple. Finely sanded and ready for finishing.

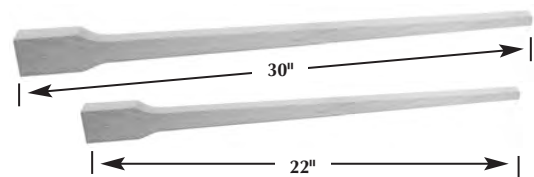
No. 859 - Steinway Style Wood Lyre Braces. Each



GRAND PROP STICK

Steinway style with short stick. Overall length of long stick 31". Made of plain hardwood, unfinished.

No. 851 - Grand Prop Stick. Each



GRAND LID PROPS

Made of selected hard maple, finely sanded and ready for finishing.

No. 847 - 30" long x 2-1/2" wide x 7/8" thick. Each

No. 848 - 22" long x 2" wide x 7/8" thick. Each

MAHOGANY VENEER

First quality, for case and key repair. Pieces are approximately 3" X 12".

No. 850 - Mahogany Veneer. Each

