

STEINWAY UPRIGHT ACTION PARTS

Highest quality Japanese replacement parts.
(Set consists of 88 pieces)

MODEL K SMALL HEEL
No. 6400 - Each



MODEL K LARGE HEEL
No. 6401 - Each



MODEL V
No. 6402 - Each



MODEL F
No. 6403 - Each



STEINWAY UPRIGHT ACTION PARTS

Highest quality Japanese replacement parts.

HAMMER BUTTS

**STEINWAY HAMMER BUTTS,
COMPLETE SET (NOT SHOWN)**
74 double flanges, 14 single flanges.

No. 6408 - Per Set of 88



**STEINWAY STYLE
BUTT WITH
DOUBLE FLANGE**

No. 6406 - Each



**STEINWAY STYLE
BUTT WITH SINGLE
FLANGE**

No. 6407 - Each



STEINWAY STYLE DAMPER LEVERS (WITH PLATE)

No. 6404 - Each

HAMMER BUTT FLANGES

**STEINWAY STYLE BUTT FLANGES,
COMPLETE SET (NOT SHOWN)**
74 double flanges, 14 single flanges.

No. 6411 - Per Set of 88



STEINWAY STYLE DOUBLE FLANGE

No. 6409 - Each



STEINWAY STYLE SINGLE FLANGE

No. 6410 - Each



STEINWAY STYLE WHIPPEN FLANGE

No. 6405 - Each



STEINWAY STYLE DAMPER BLOCKS

Set consists of the following:
30 short blocks (bass) slant bore.
42 long blocks (tenor/treble) straight bore.
45 heads (tapered in length).

No. 6412 - Set

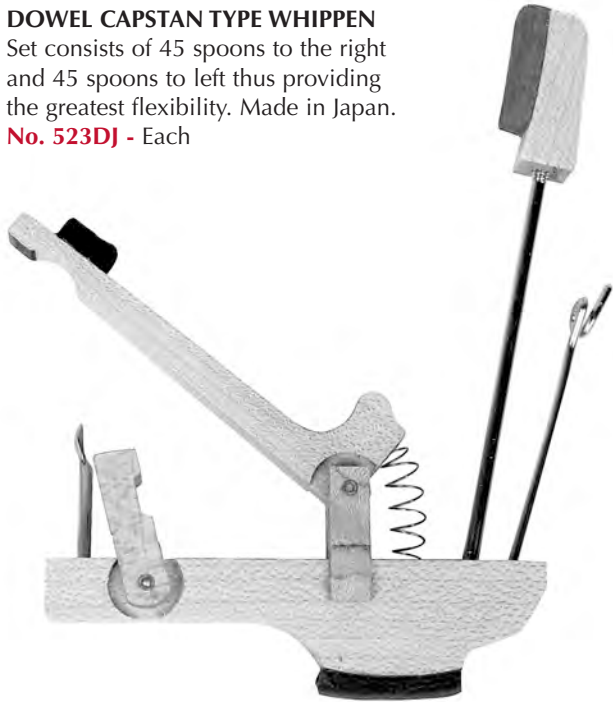


UPRIGHT WHIPPENS

DOWEL CAPSTAN TYPE WHIPPEN

Set consists of 45 spoons to the right and 45 spoons to left thus providing the greatest flexibility. Made in Japan.

No. 523DJ - Each



STICKER TYPE WHIPPEN

Set consists of 45 spoons to the right and 45 spoons to left thus providing the greatest flexibility. Made in Japan.

No. 523SJ - Each

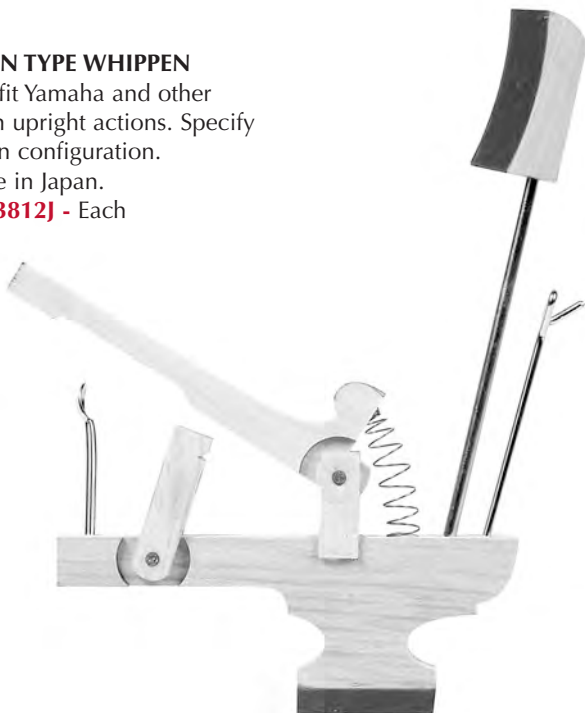


ASIAN TYPE WHIPPEN

Will fit Yamaha and other Asian upright actions. Specify spoon configuration.

Made in Japan.

No. 3812J - Each



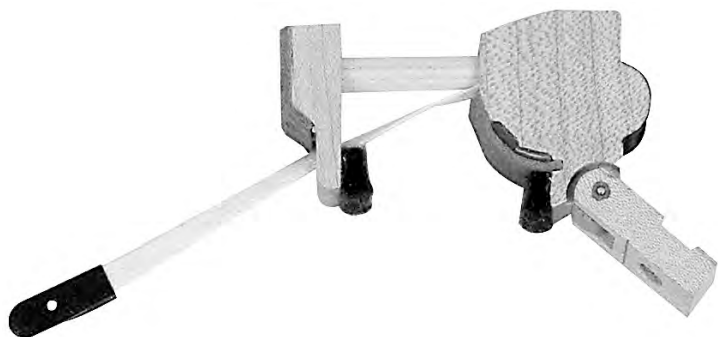
BALDWIN HAMILTON TYPE WHIPPEN

Specify spoon configuration.

No. 3712 - Each



UPRIGHT BUTTS



STANDARD UPRIGHT BUTT

Pratt-read style butt with flange fits most American upright actions. Made in Japan.

No. 507J - Each



BILLINGS/BRASS RAIL BUTT

Pratt-read style butt fits brass billings flanges.

Made in Japan.

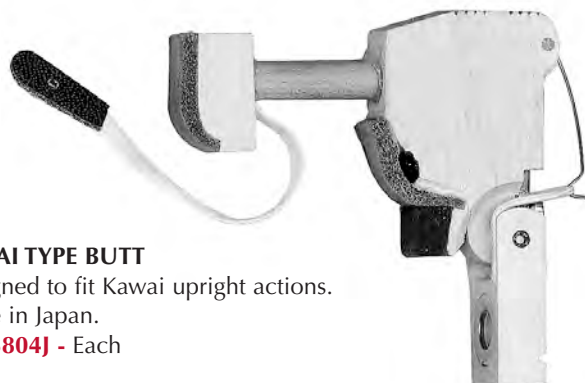
No. 509J - Each



ASIAN UPRIGHT BUTT

Will fit Yamaha and many other Asian actions. With brass butt plate. Made in Japan.

No. 3800J - Each



KAWAI TYPE BUTT

Designed to fit Kawai upright actions.

Made in Japan.

No. 3804J - Each



STEINWAY STYLE BUTT WITH DOUBLE FLANGE

An exacting replacement for Steinway upright actions. Made in Japan.

No. 6406 - Each



BALDWIN HAMILTON/ACROSONIC BUTT

Without wood flange. Designed to fit the 511CJ flange.

No. 3744A - Each

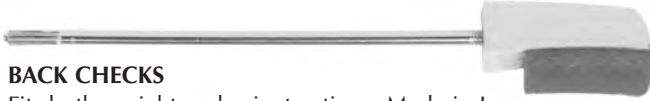


UPRIGHT ACTION PARTS



UPRIGHT HAMMER SHANKS

Hard maple. Finest quality. 7/32" Diameter. 5-1/4" long.
No. 504 - Shank. Each



BACK CHECKS

Fits both upright and spinet actions. Made in Japan.
No. 530J - With wires. Each
No. 530XJ - Without wires. Each

DAMPER BLOCKS

With screws. Set contains 32 bass and 36 straight treble.
No. 533 - Set of 68.
No. 533B - Bass. Each
No. 533T - Treble/Straight. Each
No. 533TS - Treble/Slant. Each



DOWEL TYPE DAMPER BLOCKS

With screws. Set contains 70 Pieces.
 Made in Japan.
No. 529J - Each



STANDARD WOOD FLANGE

Most common type whippen and butt flange. Made in Japan.
No. 511CJ - Each



AEOLIAN WOOD FLANGE

No. 511B - Each



ASIAN FLANGE

Fits Yamaha, Samick and Young Chang butts. Made in Japan.
No. 3809J - Each



KAWAI TYPE FLANGE

Designed to fit Kawai upright actions. Made in Japan.
No. 3804FJ - Each



DOUBLE FLANGES

With damper lever springs.
No. 514-1/2J - Each



DAMPER LEVERS

With flange and spring. Made in Japan.
No. 537J - Wood. Each

DAMPER FLANGES

With damper lever springs, wood.
 Spring 1-7/8" Long. Made in Japan.
No. 514J - Wood. Each



UPRIGHT CATCHERS

Designed for both 507J and 509J type butts. Made in Japan.
No. 2507J - Each



JACKS

Made in Japan.
No. 525J - Each



JACKS AND FLANGES

Pinned, complete.
 Made in Japan.
No. 526-1/2J - Each



UPRIGHT JACK FLANGES

Bushed.
No. 526 - Each



BILLINGS BRASS FLANGES

To be used with 509J butt.
No. 512 - Each



ADJUSTABLE STICKER

Make to a desired length on the spot by merely cutting the dowel and gluing on both ends of sticker. Comes in two sizes to cover almost any size used. Shipped unassembled. Made in Japan.

No. 510AJ - Adjustable from 4" to 6-1/2". Each
No. 510BJ - Adjustable from 6-1/2" to 9". Each

WOOD DOWEL CAPSTANS

Without wire, but with holes.
No. 508 - Each



FLANGE SHIELD

Slips over any size butt or whippen flange to prevent center pin from working out. Used on every other flange.
No. 2502 - Each

